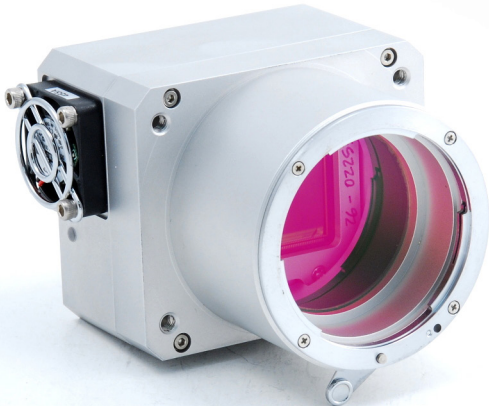




RMOD-71 CL

Rolling Shutter CMOS

10,000 X 7094 - 3.1µm PIXEL



The RMOD-71 is a rolling shutter CMOS digital camera with an astounding 71 million pixels! The RMOD-71 is available in color and mono versions and is designed for use in industrial, machine vision, document imaging, and security applications.

The RMOD-71 uses the ams/CMOSIS CHR71000ES-1E5M1PA or CHR71000ES-1E5C1PA sensor. This sensor has 8 analog outputs (8-tap) each running up to 42.5MHz. This results in 4.2 fps at full resolution. Higher frame rates can be achieved in ROI/windowing mode. The RMOD-71 has all of the “rugged” features, such as industrial design, military de-rated components, and a CNC machined case. Fan cooling insures minimum dark current and excellent image quality.

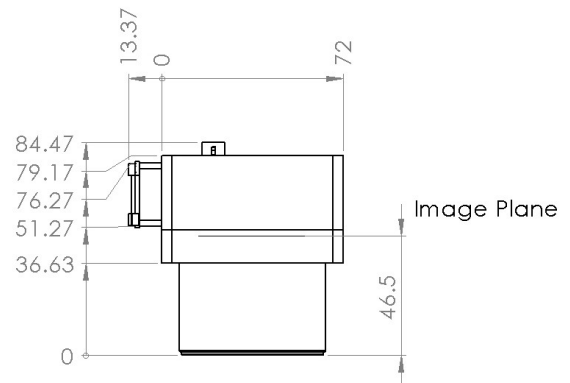
RMOD-71 CL HIGHLIGHTS

- ✓ 10,000 x 7094 3.1µm active pixels
- ✓ Monochrome, RGB Bayer
- ✓ Rolling Shutter CMOS
- ✓ Windowing ROI capability
- ✓ Dynamic range 64dB
- ✓ 8 Tap readout at up to 42.5MHz each (340Mpix/sec)
- ✓ 12 bits, 4.22 fps at full resolution, faster when windowed
- ✓ Field-updatable firmware and flat field correction
- ✓ Nikon F, M42, and M58 lens mount

RMOD-71 CL SPECIFICATIONS

Sensor	ams/CMOSIS CHR71M
Architecture	Rolling Shutter CMOS
Configuration	Mono, RGB Bayer
Active Pixels	10000 (H) x 7094 (V)
Pixel Size	3.1 x 3.1µm
Active Image Size	31 x 22mm
Outputs	8 analog outputs from sensor. Digitized and output as 8/10/12 bits
Frame Rates (Camera Link)	2.1 fps : Base mode 3.0 fps : Medium mode 4.22 fps : Medium mode overclock
Dynamic Range	64dB
Clock Speed	21.25, 30, 42.5 MHz per tap, 8 taps
Full Well Charge	>13Ke
Rolling Shutter Exposure	Min exposure ~66µs
Dark Noise	7e -
Dark Current	3.2 e-/s at room temperature
Power	7-12VDC at 3-6W
Exposure Modes	Free Run, Triggered, Triggered Flash, Triggered Shutter
Lens Mount Options	Nikon F, M42, M58
Defect Correction	Row, Column, Pixel, Hot Pixel, Flat Field Column gain and offset
Options	Mono High Grade Sensor Tripod Adapter

DIMENSIONS



APPLICATIONS

- ✓ DNA SEQUENCING
- ✓ LCD/FPD INSPECTION
- ✓ DOCUMENT SCANNING
- ✓ SCIENTIFIC IMAGING
- ✓ MILITARY APPLICATIONS
- ✓ PERSISTENT SURVEILLANCE
- ✓ PCB INSPECTION

ROI INCREASES FRAME RATES:

HD (1920 X 1080) AT 96+ fps
 UHD (3840 x 2160) at 30+ fps
 29M (6575 x 4384) at 9.8 fps
 50M (8176 x 6132) at 5.8 fps
 VGA (640 x 480) at 357 fps

All illunis cameras come with our free camera control software, which allows interactive setup of all camera parameters.



Get in Touch

✉ info@illunis.com



CONTACT US

illunis, LLC
 14700 Excelsior Boulevard
 Minnetonka, MN 55345 USA

☎ +1.952.975.9203
 📠 +1.952.294.8308 (fax)
 ✉ info@illunis.com
 🌐 www.illunis.com